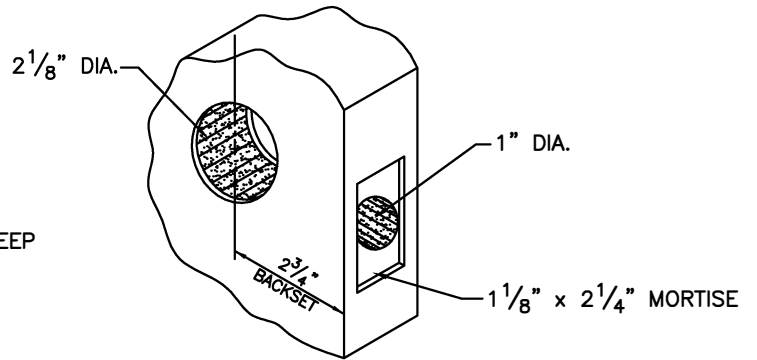
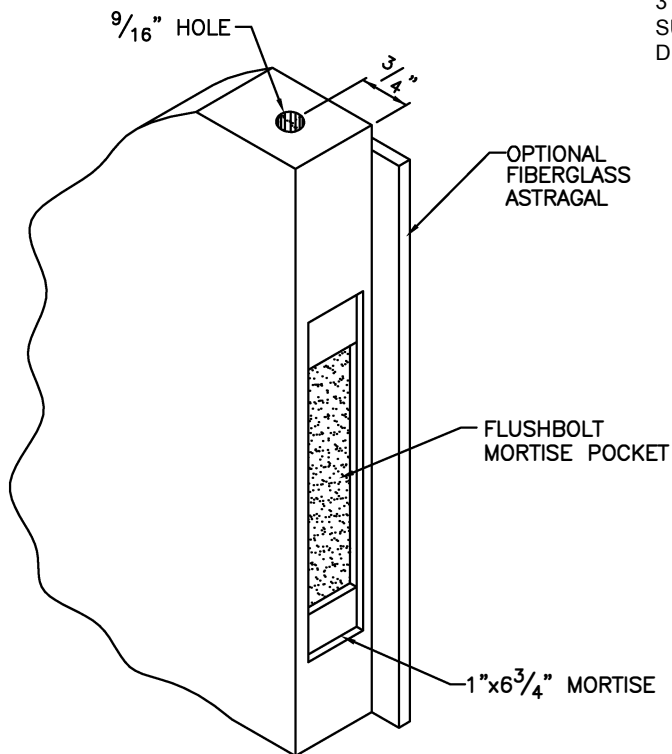


MORTISE LOCK DETAIL

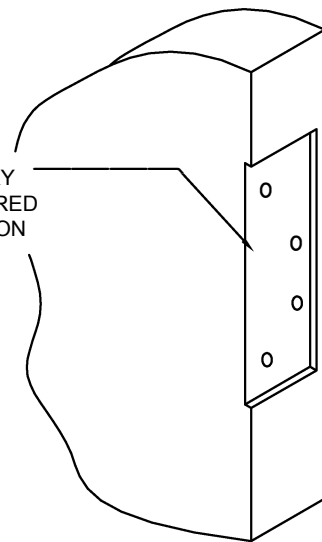


CYLINDRICAL LOCK DETAIL



FLUSHBOLT DETAIL

3" HINGE SCREWS FACTORY
SUPPLIED. SHIM AS REQUIRED
DURING DOOR INSTALLATION



HINGE DETAIL



FIBERGLASS DOOR HARDWARE MACHINING DETAILS		
DATE 4/15/20	SCALE NONE	
DWG NAME DOORMACHDETAIL	DRAWN BY BG	