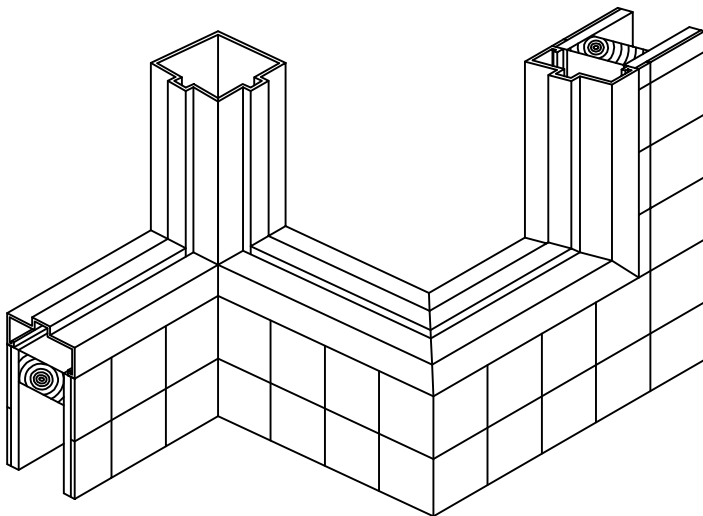
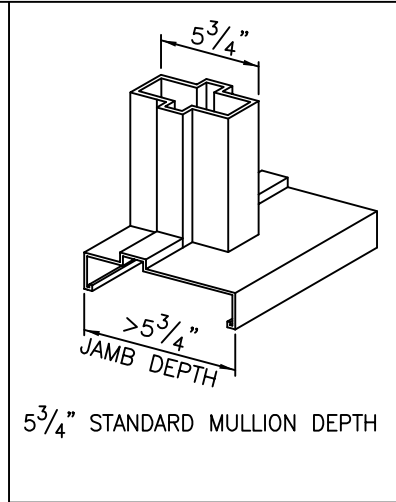
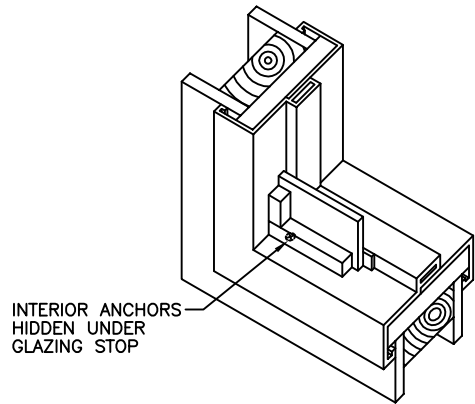
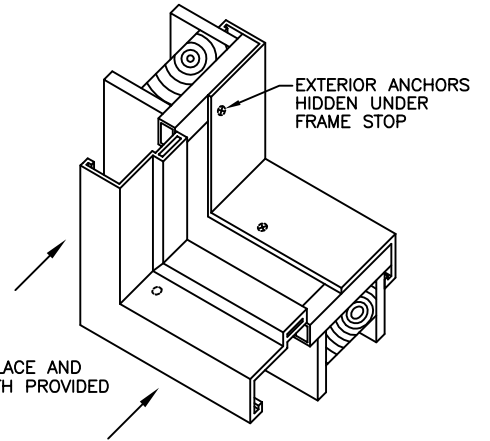


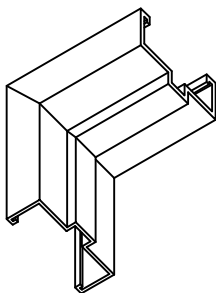
SEGMENTED ARC



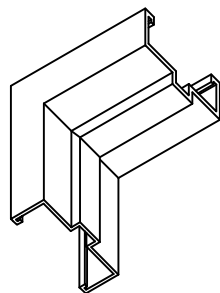
RIGHT ANGLE



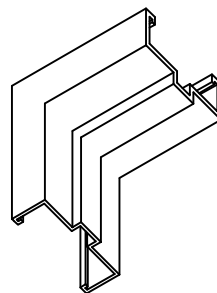
WRAP WALL FIXED SASH



OPTION KD
 KNOCK DOWN



OPTION WF
 CHEMICALLY WELDED FACE



OPTION WF/T
 CHEMICALLY WELDED FACE/THROAT



FIBERGLASS FIXED SASH DETAILS

DATE	SCALE	
3/8/12	NONE	
DWG NAME	DRAWN BY	
SASHDETAILS	MDS	