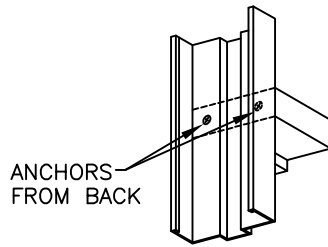
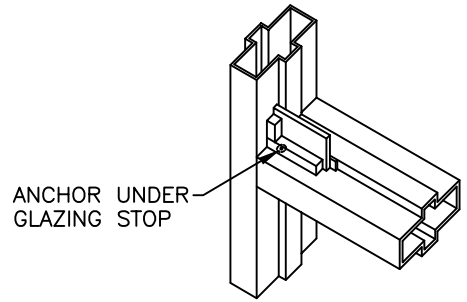


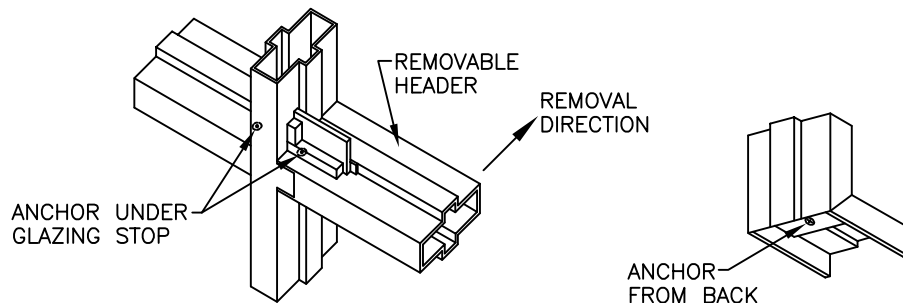
(A)



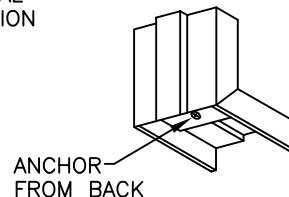
(B)



(C)



(D)



(E)



| FIBERGLASS FIXED SASH/SIDELITE CONNECTIONS | | |
|---|----------------|--|
| DATE 9/17/04 | SCALE NONE | |
| DWG NAME SASHCONNECT | DRAWN BY BG | |