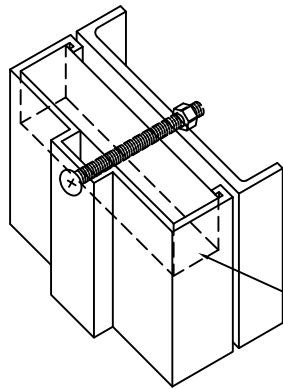
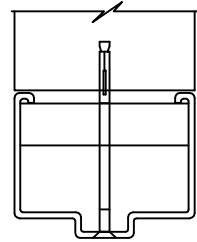


OPTION B-BM  
BUTTED MASONRY

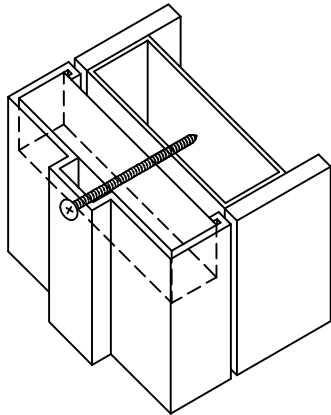


ANCHOR  
COMPRESSION  
BLOCK (TYP.)

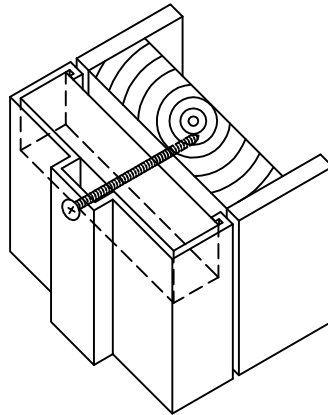
OPTION B-BS  
BUTTED STEEL



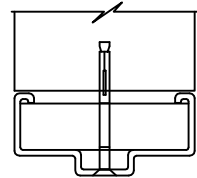
4" HEAD ANCHOR  
WHERE REQUIRED



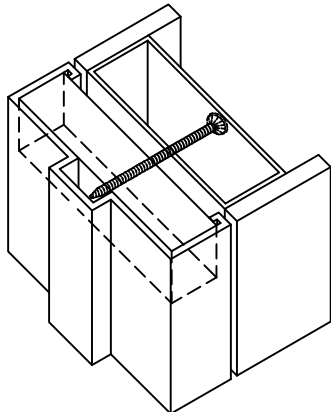
OPTION B-MS1  
BUTTED METAL STUD



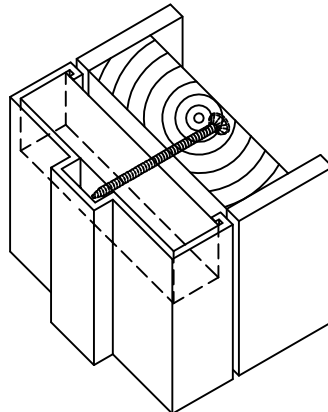
OPTION B-WS1  
BUTTED WOOD STUD



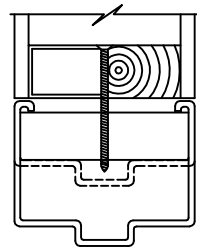
2" HEAD ANCHOR  
WHERE REQUIRED



OPTION B-MS2  
BUTTED METAL STUD



OPTION B-WS2  
BUTTED WOOD STUD



2" OR 4" HEAD ANCHOR  
WHERE REQUIRED



**NOTES:** STANDARD ROUGH OPENING IS AS FOLLOWS:  
OVERALL FRAME WIDTH PLUS 1/2"  
OVERALL FRAME HEIGHT PLUS 1/4"

ALL HOLES IN DOOR STOP ARE FACTORY  
PRE-DRILLED AND COUNTERSUNK.

FIBERGLASS DOOR FRAME BUTTED WALL ANCHORING DETAILS		
DATE 9/08/05	SCALE NONE	
DWG NAME BUTANCHORING	DRAWN BY BG	